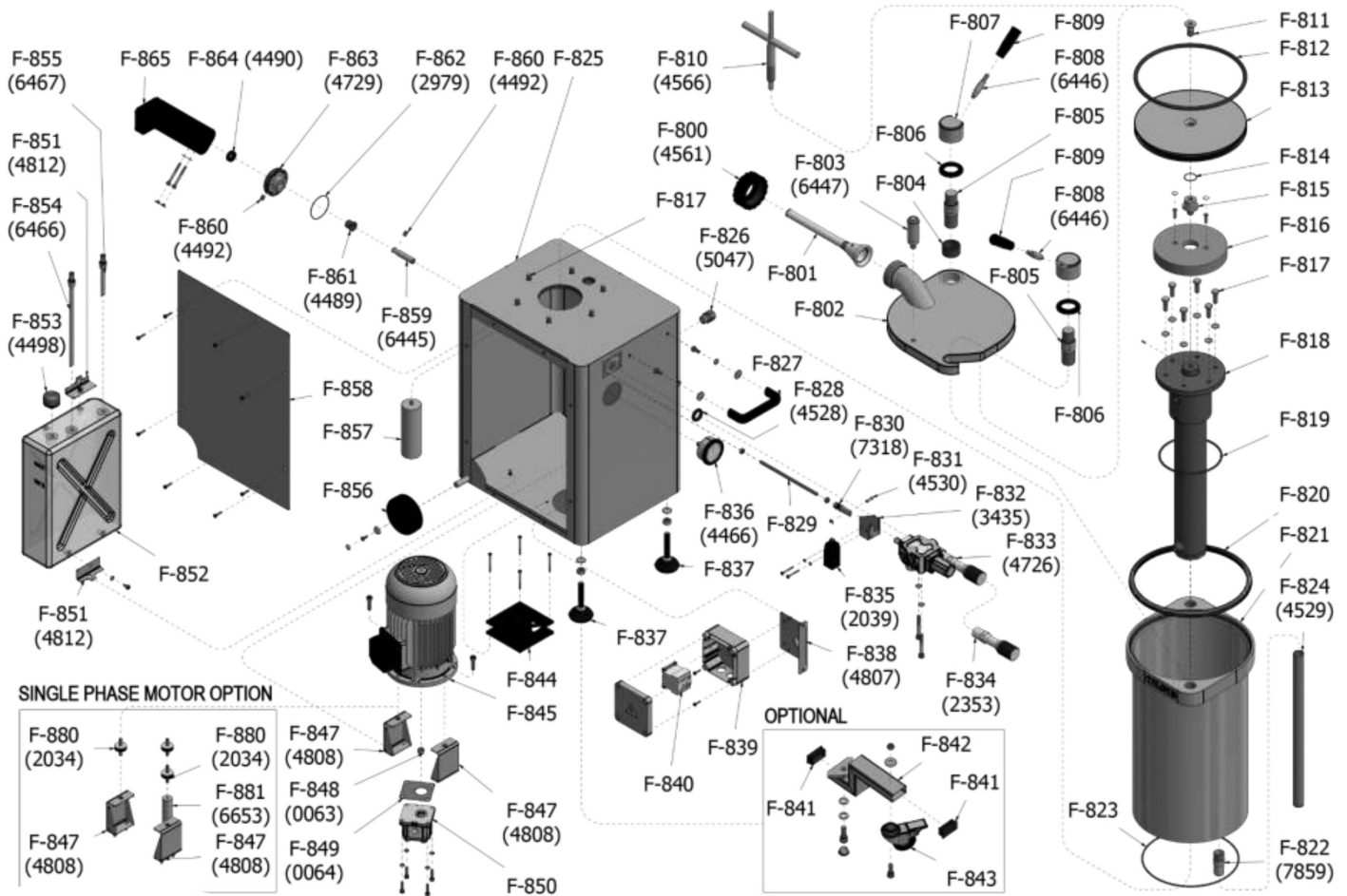


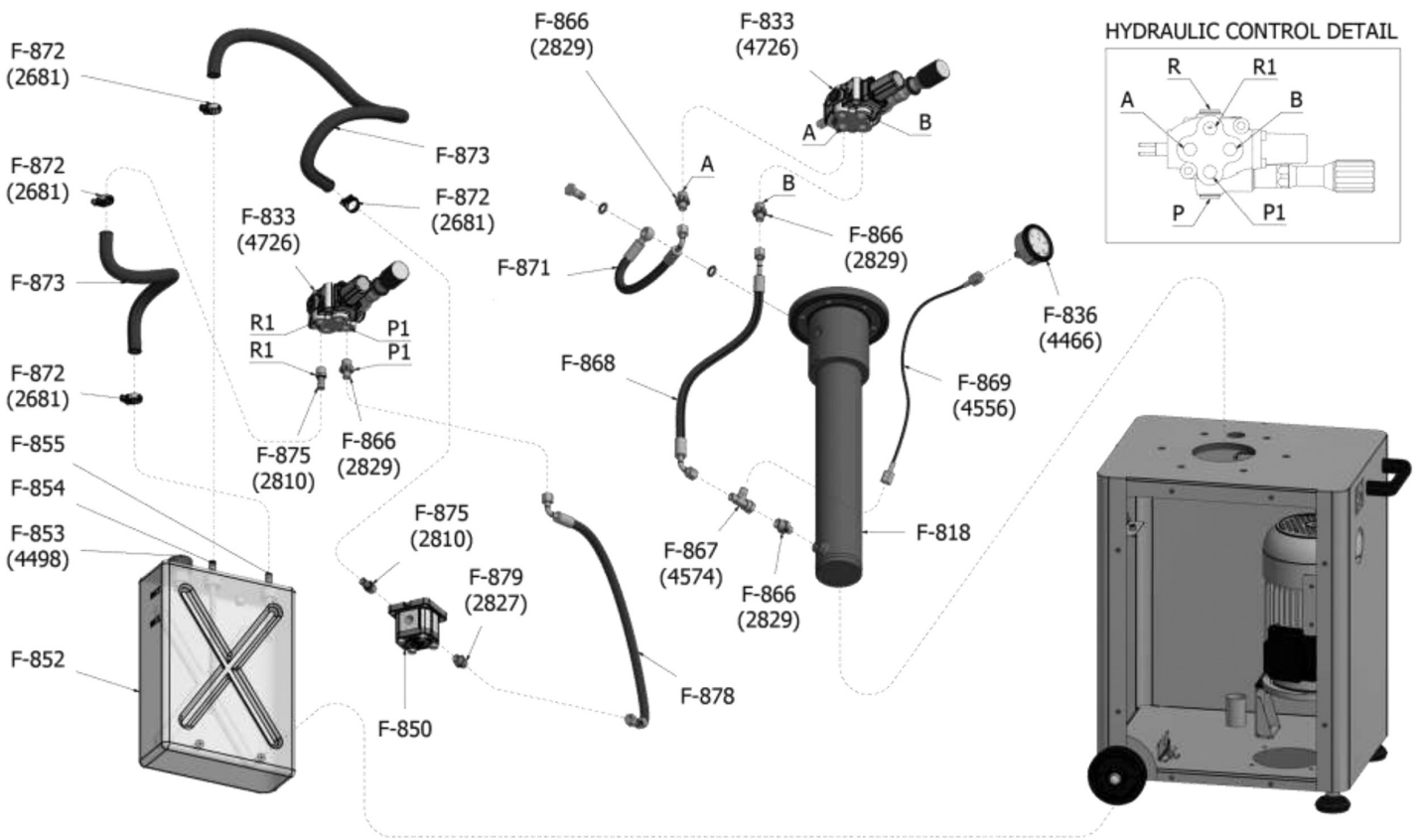
Parts Breakdown

Model SS-ES-0065-C 46325



Parts Breakdown

Model **SS-ES-0065-C** 46325



Parts Breakdown

Model SS-ES-0065-C 46325

Item No.	Description	Position	Item No.	Description	Position	Item No.	Description	Position
AC922	Locking Nut for Curved Nozzle and HF1, Open, Stainless Steel for 46325	F-800	66922	Cabinet with Accessories for 46325	F-825	31222	Motor-Pump Coupling for Fillers/Stuffers for 46325	F-848
16508	Nozzle/Horn All Stainless Steel Short Ext. Diam.20/Int.17 L.Use.195mm (7.5) Tube for 46325	F-801	66870	Grommet, S-TEC 5308959 M20x1,5/13 Poliamyde, Grey for 46325	F-826	31221	Seal, Vellumoid 1625-1 for Pump Type L for 46325	F-849
66927	Stainless Steel Lid, without Accessories for 46325	F-802	66923	Handle M8 for 46325	F-827	36028	Gear Pump H223 for 46325	F-850
66847	Lid Opening Lever AISI303 for 46325	F-803	66872	Wall Pass-Through D.34/21,8x6mm EPDM Black 70 SH for 46325	F-828	66889	Support Oil Reservoir/Cabinet for 46325	F-851
66848	Bras Bushing B11 Lid for 46325	F-804	66924	Threaded Rod Hydraulic Control M8 AISI30 for 46325	F-829	66890	Internal Oil Reservoir, Poliprop. White for 46325	F-852
66849	Stainless Steel Bolt, Lid for 46325	F-805	19415	Internal Fork, Hydraulic Control Activator, Stainless Steel for 46325	F-830	66891	Oil Cap, Depressurized, Red for 46325	F-853
AD191	Washer for Lid Lock Nut, Bronze B7 for 46325	F-806	66875	Cylindrical Pin, D.6x19,5 Stainless Steel for 46325	F-831	66892	Oil Return Pipe D.10 L.120mm for 46325	F-854
66851	Nut for Lid Lock AISI303 for 46325	F-807	36037	Hydraulic Control Micro Switch Holder from 02/02 for 46325	F-832	66893	Oil Suction Pipe D.10 L.270mm for 46325	F-855
66852	Lever for Lid Lock Nut AISI303, without Black Knob for 46325	F-808	66877	Hydraulic Control 102N8SA23X-340 with Pressure Knob for 46325	F-833	36110	Wheel, Nylon H214 for 46325	F-856
66853	Knob Black Thread M10 80mm for 46325	F-809	31219	External Pressure Valve Control Assembly M1670/861, Black Knob for 46325	F-834	66926	Panel Access Cabinet for 46325	F-858
66854	Spanner/Wrench, Piston Extractor for 46325	F-810	16524	Micro Position Detector, Comepi Metal Wheel for 46325	F-835	66895	Activator Knee Lever D.15 L.70mm AISI303 for 46325	F-859
66855	CSK Allen Screw, Stainless Steel DIN7991 for 46325	F-811	66878	Pressure Gauge D.63, WIKA 213.53, 0-200 Bar, Thread 1-4" for 46325	F-836	66896	Pedal Brass Bushing, B11 A-6-9-12 for 46325	F-860
66928	Piston Gasket, O-Ring, Red Silicone (1*Piston) for 46325	F-812	66879	Foot, Stainless Steel for 46325	F-837	66897	Brass Bushing, B11 B-15-20-20/25-3 with Collar for 46325	F-861
66929	Piston, Stainless Steel, without O-Ring for 46325	F-813	66880	Holder Isolating Box for 46325	F-838	66898	O-Ring, Int. Diam. 61x2 for 46325	F-862
66914	O-Ring, Threaded Tip Piston for 46325	F-814	36042	Isolating Box, Legrand 100x100x55mm Code 92138 for 46325	F-839	66899	Support Knee Lever AISI304 for 46325	F-863
66915	Threaded Tip Hydraulic Cylinder Bolt AISI303 for 46325	F-815	66048	Isolating Box, IDE 162x116x76, Polycarbonate (H UL-CSA +110V) for 46325	F-839	66900	Gasket, Knee Lever for 46325	F-864
66916	Hood Clamp, Hydraulic Cylinder, Grey for 46325	F-816	44093	Contacto 6A 208V/60HZ/3 for 46325	F-840	66901	Knee Lever, Black for 46325	F-865
66861	Stainless Steel Hexagonal Screw for 46325	F-817	66881	Cap, KAPSTO, GPN270, Swivel Castors for 46325	F-841	66902	Hydraulic Union, Simple, GE8LR 3/8" BSP for 46325	F-866
AD193	Hydraulic Cylinder for 46325	F-818	66882	Extension Swivel Castor AISI304 for 46325	F-842	66903	T Joint EVL-08 (Outlet Control to Hydraulic Cylinder + Gauge) for 46325	F-867
66918	O-Ring, Hydraulic Cylinder for 46325	F-819	69577	Extension+Swivel 2 Stainless Steel Castors with Brake for 46325	F-843	66904	Hose, R1T1/4 TL90HG8L-TL45HG8L, Bottom Cylin-Hydr Control for 46325	F-868
66930	Lid Seal Polyurethane Red for 46325	F-820	66884	Fan, 120x120x38 110V 50/60Hz 1-Phase 156 M3/H 115V UL/CSA for 46325	F-844	66905	Hose, Pressure Gauge 1/4", Length 500mm for 46325	F-869
66931	Fixed Dough Barrel for 46325	F-821	39059	Air Extraction Fan 220V 1PH for 46325	F-844	66907	Hose, 290mm R1T1/4 ESF14-TL90HG8L, Top Cylin-Hydraulic Control for 46325	F-871
66866	Deposit Drainage Pipe D.27 L.62 Gas 3/4" AISI304 for 46325	F-822	19410	Motor H26 3-Phase H 3/208/220V-60HZ-1.5HP-1.1KW 1700 RPM for 46325	F-845	66908	Hose Clamp, MIKALOR D.12-20/9 for Hydr. Oil Drain Tube NH for 46325	F-872
66932	O-Ring, Flange Dough Barrel for 46325	F-823	66886	Silent Block Single Phase Motor 70x30x5mm EPDM Black for 46325	F-846	66909	Rubber Hose KLEMINE-20 Bar D.12x20 for 46325	F-873
66868	Transparent Fabric Hose PVC D.32x25, Deposit Drain for 46325	F-824	66887	Motor Mounting Bracket for 46325	F-847	61763	Nozzle Cover, Rubber 12 Male Thread 3/8" (Draining Hose) for 46325	F-875

Parts Breakdown

Model SS-ES-0065-C 46325

Item No.	Description	Position	Item No.	Description	Position
66910	Hose, R1T1/4 TL90HG8L-TL45HG8L (Hydraulic Pump Control) for 46325	F-878	AC974	Washer, Stainless Steel, Straight D.6,4-M6 DIN125 for 46325	
65038	Hydraulic Union, Simple, GE8LR 1/4" BSP for 46325	F-879	AC973	Allen Screw, Stainless Steel M6x55 DIN912 for 46325	